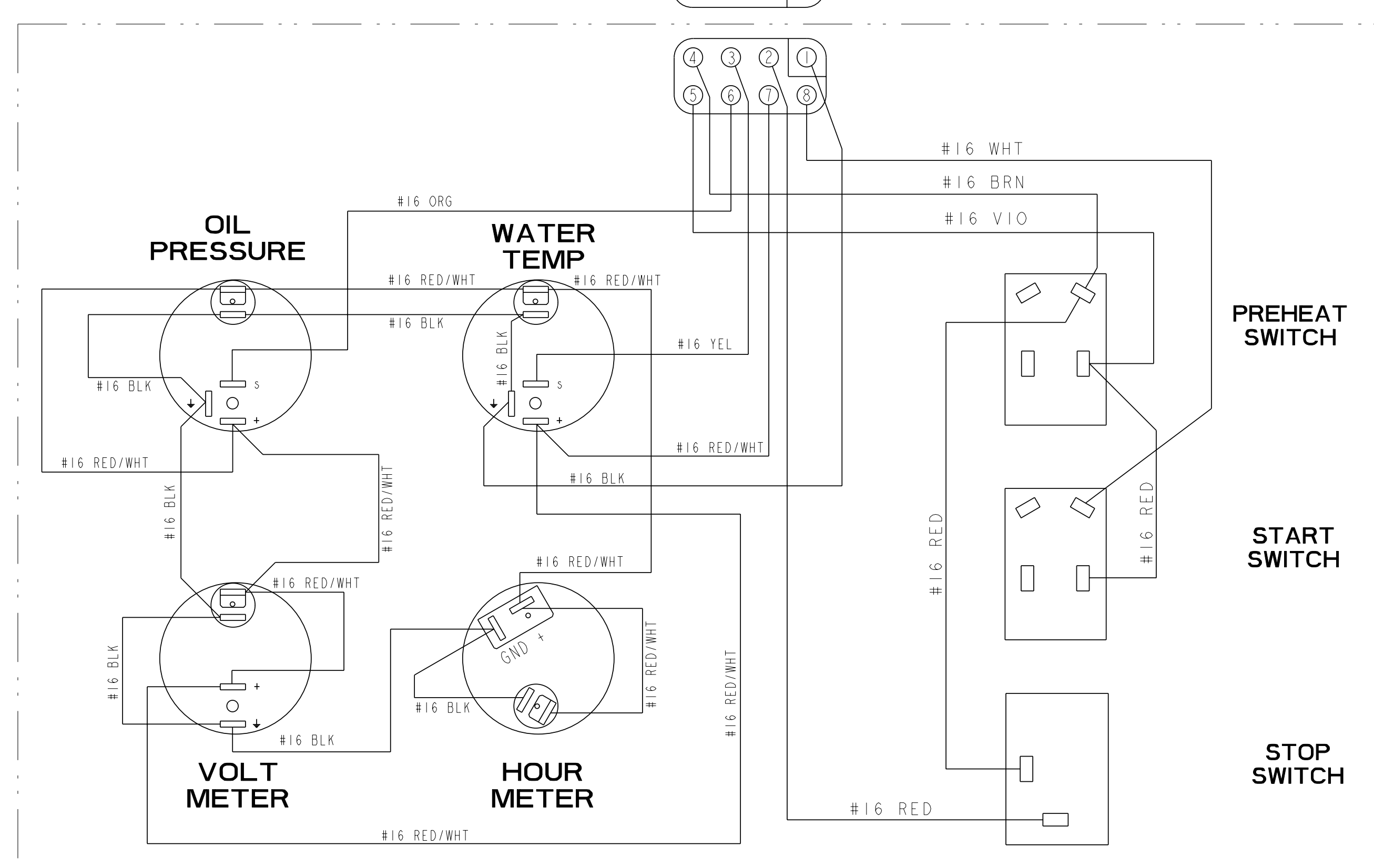
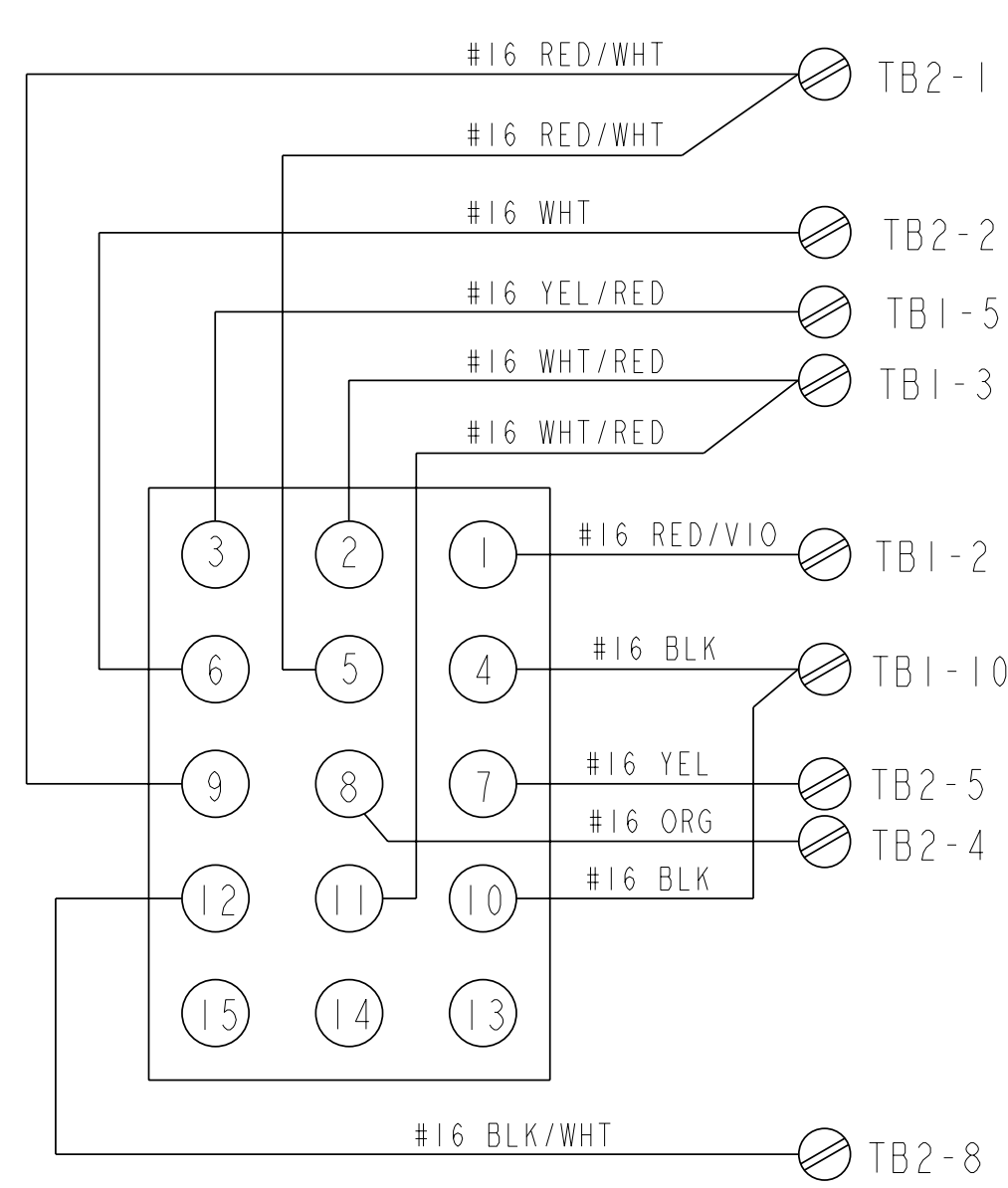
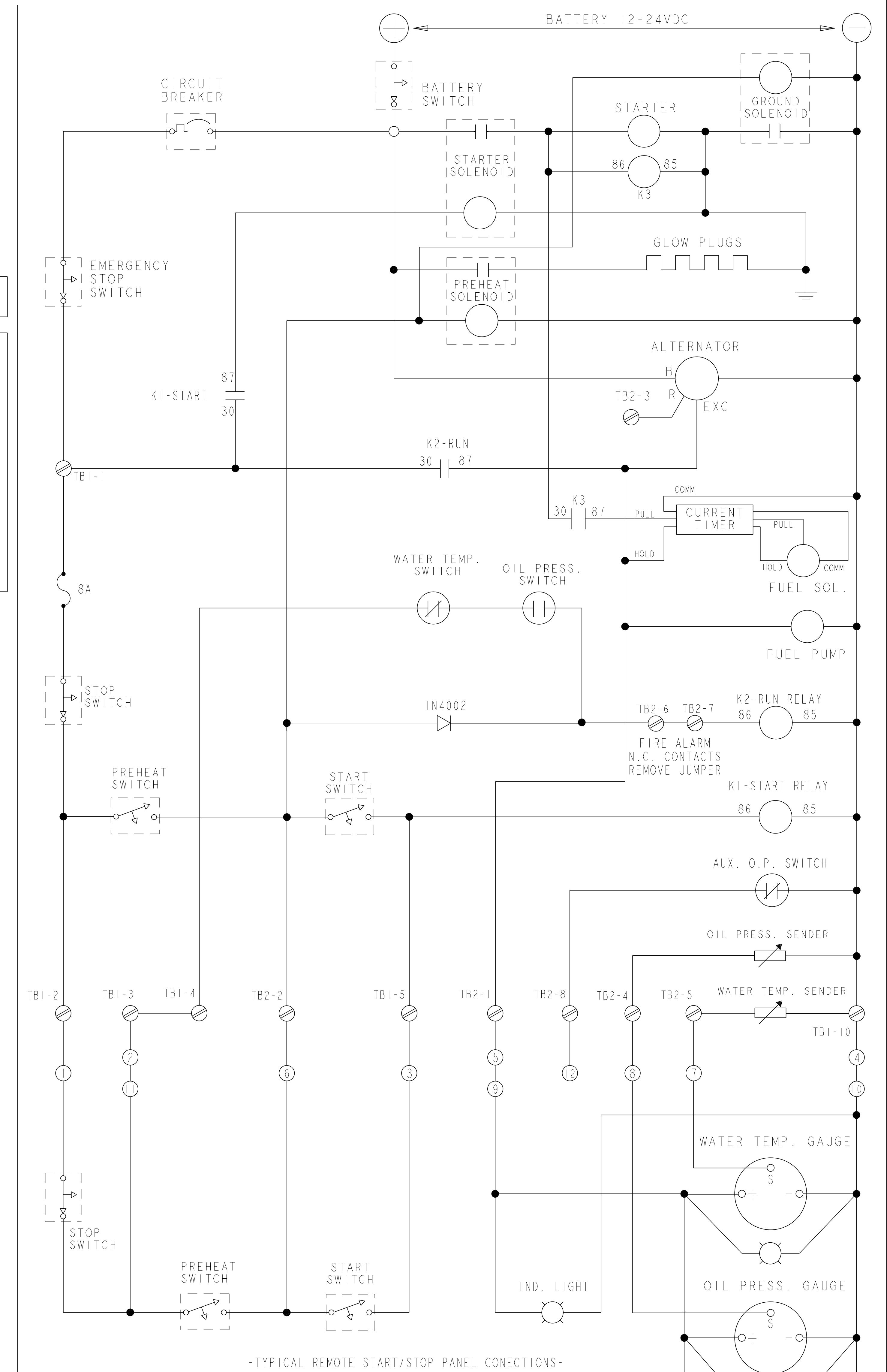


NOTE:  
 1. REMOVE JUMPER WHEN CONNECTING A SECOND REMOTE PANEL.



INSTRUMENT PANEL



- TYPICAL REMOTE START/STOP PANEL CONNECTIONS -

NOTE:  
 ○ 1. REMOTE CONNECTOR PINS

TOLERANCES (UNLESS OTHERWISE NOTED)		WESTERBEKE CORPORATION TAUNTON MA. 02780	
INCHES	MILLIMETERS	TITLE	
.XX : .02	.X :	WIRING DIAGRAM/SCHEMATIC	
.XXX : .005	.XX :	8.0 BTDR-15.0 BTDCR, 24V UNGROUNDED	
CAST	.XX :	DRN BY	GA
FINISH	± .02	DATE	20/Apr/2010
ANGLES	± .02	APPROVED BY	DATE
DIMENSIONS		SCALE	NONE
INCHES		SIZE	DRAWING NUMBER
(WHEN APPLICABLE)		1st. 1 of 1	
ECD NO.	DATE	REV.	REVISION RECORD
		AUTH.	DR. BY
			54031